

4 INCH ANTISTATIC PLASTIC REEL

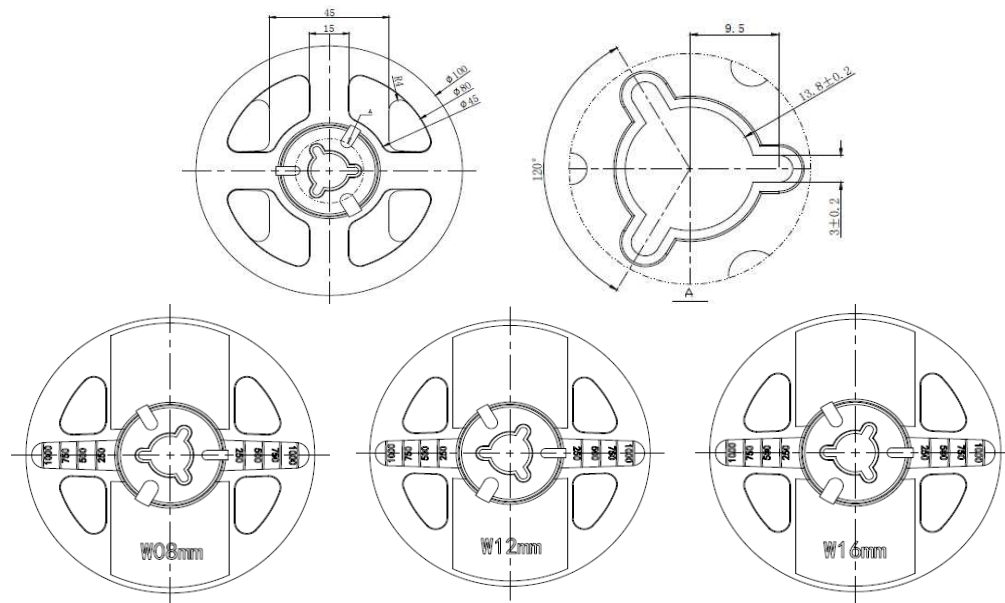
Product Description

Advantage Antistatic PLASTIC REEL ADVPR series is made of HIPS materials.

Available Widths

ADVPR series is available in the standard widths of 8mm, 12mm, 16mm.

Detail Specs



ELECTRICAL PROPERTIES TYPICAL VALUE TEST METHOD

Surface Resistivity $\leq 10^{11}\Omega$ ASTM-D257,Ω

PHYSICAL PROPERTIES TYPICAL VALUE TEST METHOD

Appearance: Black N/A

Note: The technical information and data presented here should be considered representative or typical only, and should not be used for specification purposes.

Remark:

The customer should determine their own product's application based on each of their own internal criteria and machine type

Storage Conditions:

1. Environment Temperature and relative humidity: 20°C-30°C,(50%±10%) RH
2. Shelf Life: 1 year
3. Be protected from direct sunlight