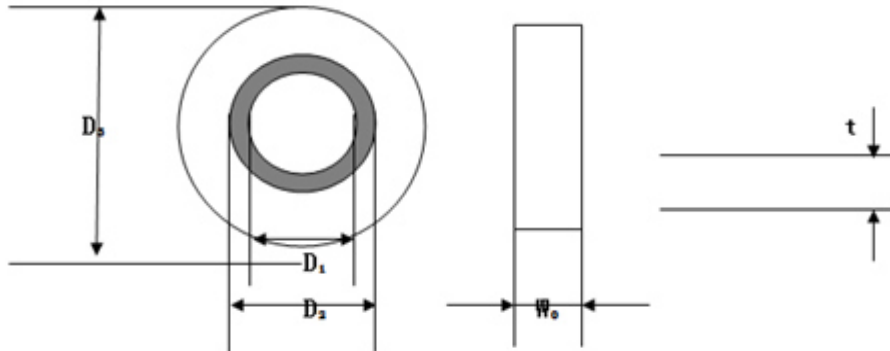


Heat tape for Radial-type Electrical Components

Product Code: Heat tape



Width (W_0)	6mm±0.2mm
Length(L)	200m±1m
Thickness (mm)	0.16mm±0.02mm
Inter diameter(D_1)	77.5mm±0~0.5mm
Outer diameter(D_2)	84mm±0~0.5mm

PHYSICAL PROPERTIES

Items	TYPICAL VALUE
Tensile Strength (Kn/M)	≥3
Elongation (%)	≥10
Applied Temperature (reach seal side) (°C)	80°-120°
Pulling-out force (kg/10mm)	≥2

Storage Conditions:

1. Environment Temperature and relative humidity: (23±2)°C, (65%±5%)RH
2. Shelf Life: One year
3. Be protected from direct sunlight