

ADVPR Series 13 Inch Antistatic PLASTIC REEL

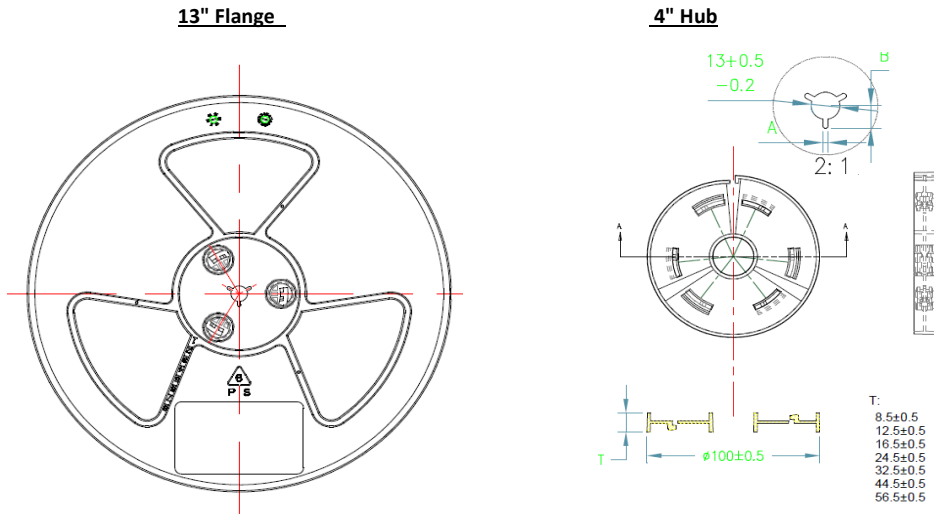
Product Description

Advantage Antistatic PLASTIC REEL ADVPR series is made of HIPS materials

Available Widths

ADVPR series is available in the standard sizes of 13"×wide 8mm, 13"×wide 12mm, 13"×wide 16mm, 13"×wide 24mm, 13"×wide 32mm, 13"×wide 44mm, 13"×wide 56mm, 13"×wide 72mm, they are in assembly types (two flanges plus hub)

Detail Specs



ELECTRICAL PROPERTIES	TYPICAL VALUE	TEST METHOD
Surface Resistivity	$\leq 10^{11} \Omega$	ASTM-D257, Ω
PHYSICAL PROPERTIES	TYPICAL VALUE	TEST METHOD
Appearance:	Blue	/

Note: The technical information and data presented here should be considered representative or typical only, and should not be used for specification purposes.

Remark:

The customer should determine their own product's application based on each of their own internal criteria and machine type

Storage Conditions:

1. Environment Temperature and relative humidity: 20 °C-30 °C, (50%±10%) RH
2. Be protected from direct sunlight

Revision Data: 2012-1-1

TZJ